

USER GUIDE

PHOTON[®] HOLSTER

05-2026



Safety, Use & Liability Information

By accepting delivery of your Alien Gear Holsters order you acknowledge and agree to the following conditions:

⚠ Firearm Safety

Firearms are dangerous instruments and should be handled only by responsible persons who have completed a certified training course in the safe handling and use of firearms. YOU, THE CONSUMER, ASSUME ANY AND ALL RISK ASSOCIATED WITH THE PURCHASE AND USE OF ALIEN GEAR HOLSTERS PRODUCTS. BECAUSE TEDDER INDUSTRIES, LLC D/B/A ALIEN GEAR HOLSTERS HAS NO CONTROL OVER HOW ITS PRODUCTS WILL BE USED, OR WHO SUCH PRODUCTS WILL BE USED BY AFTER PURCHASE, TEDDER INDUSTRIES, LLC D/B/A ALIEN GEAR HOLSTERS DISCLAIMS ANY AND ALL LIABILITY FOR INCIDENTAL OR CONSEQUENTIAL DAMAGES TO PERSON(S) AND/OR PROPERTY RESULTING FROM THE USE OF ANY ALIEN GEAR HOLSTERS PRODUCTS. YOU, THE CONSUMER, ASSUME ALL RISK OF PERSONAL INJURY OR DEATH CLAIMS AS A RESULT OF YOUR USE OF ALIEN GEAR HOLSTERS PRODUCTS.

Fit & Compatibility

It is your responsibility as the consumer to personally check and ensure the fit, function, and compatibility of your Alien Gear Holsters product with your particular handgun, apparel, and working conditions. Although Alien Gear Holsters makes every effort to construct its products to fit the most current handgun models, manufacturers of handguns constantly update their products. Slight manufacturing changes in a handgun model can affect the proper and safe fit of your handgun and holster. Loose or ill-fitting apparel may interfere with proper fit or function of Alien Gear Holsters products. Some environments or working conditions are not conducive to the use of Alien Gear Holsters products. You, the consumer, are ultimately responsible for determining whether your particular usage of your Alien Gear Holsters product, with your particular handgun, apparel, and working conditions, is safe and appropriate. Alien Gear Holsters will not be responsible for changes to handgun models, variations from standards, or for typographical or other errors which may occur in the ordering of a product from Alien Gear Holsters.

Product Modifications

Alien Gear Holsters products are designed to fit factory equipped handguns. The use of trigger shoes or grip adapters, laser sights or any other alterations to the frame, or dimensions of the handgun itself, may cause improper holster fit and negligent discharge. Do not alter your Alien Gear Holsters product in any way. An alteration to your Alien Gear Holsters product may result in an unsafe fit for your handgun and possible negligent discharge. Do not use your Alien Gear Holsters product with any firearm for which it was not designed or intended.

Safe Holstering & Drawing

Never place a loaded handgun in a holster without first testing holster and handgun compatibility and fit using your handgun in an unloaded condition (double-check to make sure the chamber is empty). For information on how to safely carry your particular handgun, please refer to your handgun manufacturer's safety and instruction manual.

Practice holstering and drawing your handgun, and wearing your holster, with your handgun unloaded until you are comfortable with fit, compatibility, and usage, before using your holster in non-test conditions or with a loaded handgun. Make certain that your handgun is securely seated in the holster each time you holster your handgun before removing your hand from the grip. A handgun must snugly fit in its holster to guard against accidental separation of the handgun from the holster. Never place your hand in front of the firearm barrel while trying to holster or un-holster your firearm. Keep your finger off the trigger until you are ready to shoot. Keep fingers off the trigger and out of the trigger guard when drawing or replacing the handgun in the holster and at all times while your handgun is holstered.

Maintenance & Warranty

[Follow all instructions and guidance in your Alien Gear Holsters product Use and Care Guide/Instruction Manual/Owner's Manual.] Should your holster become worn, loose, defective, or ill-fitting at any time, immediately cease use of your holster and contact Alien Gear Holsters for warranty coverage instructions.

support@aliengearholsters.com | (208) 215-2046

4411 W. Riverbend Ave. Post Falls, ID 83854



Included with Your Photon

Holster Components

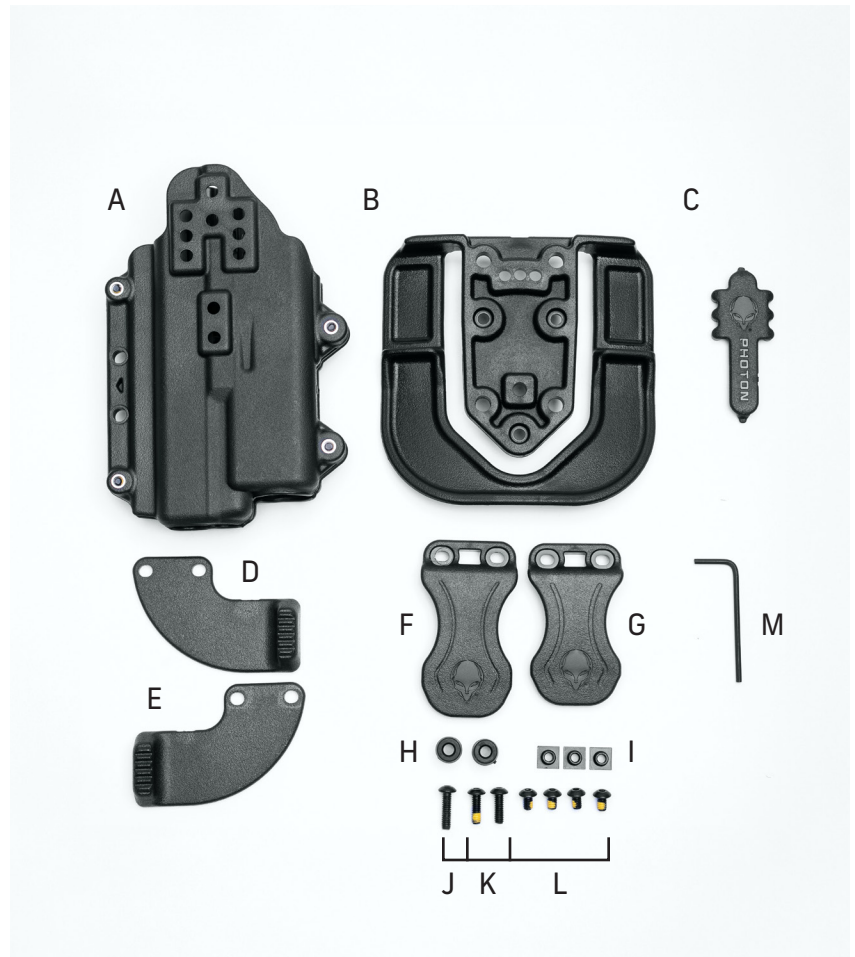
- [A] Photon Holster Body
- [B] OWB Paddle Attachment
- [C] Face Hugger (Hole Cover)

IWB Carry Kit

- [D] Left-Handed Claw
- [E] Right-Handed Claw
- [F] 1.75" Belt Clip
- [G] 1.5" Belt Clip

Hardware

- [H] 2x Spacers
- [I] 3x Weld Nuts
- [J] 1x 5/8" Screw
- [K] 2x 3/8" Screws
- [L] 4x 1/4" Screws
- [M] 1x 3/32" Allen Wrench



IWB Assembly

For Inside-the-Waistband Carry

1. Determine Hand Orientation

Right-Hand Use

Position the holster so the adjustable retention spacers point to the right when facing you.

Left-Hand Use

Position the holster so the adjustable retention spacers point to the left when facing you.

IWB Configuration

For inside the waistband use, the clip and claw should always be placed on the front side of the holster.

*For this example, the holster will be configured for **right-hand use**.*



2. Select Belt Clip and Claw

Belt Clip

Choose the appropriate belt clip based on your belt width:

- 1.5" belt clip
- 1.75" belt clip

For this example, use the 1.75" belt clip.

Claw

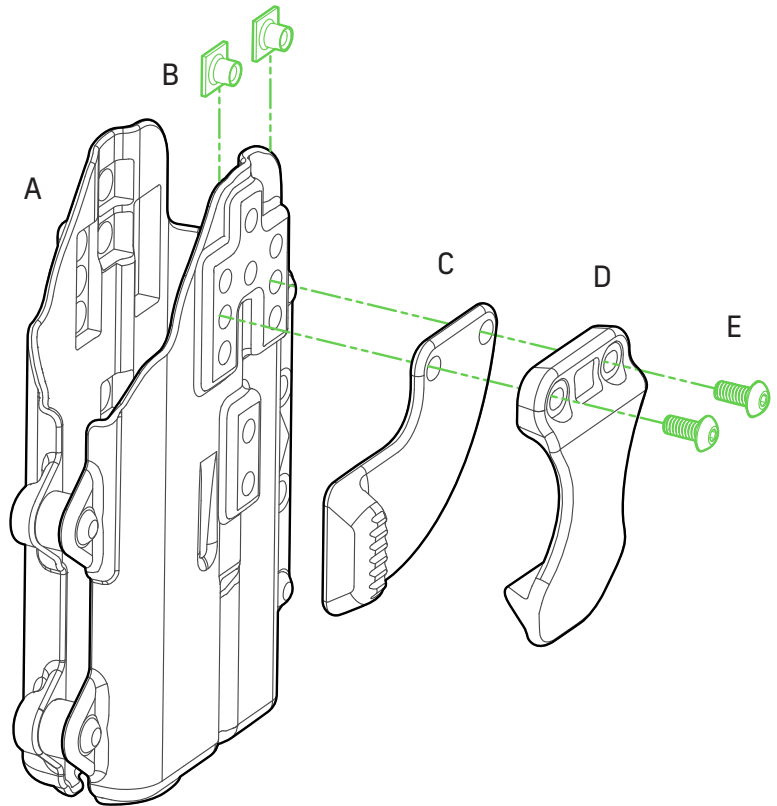
The right-hand claw is identified by a "Right Hand" or "Left Hand" label on the back of the claw. Choose the correct one for your hand orientation.



IWB Assembly (Continued)

For Inside-the-Waistband Carry

- [A] Photon Holster Body
- [B] Weld Nuts
- [C] Claw
- [D] Belt Clip
- [E] 3/8" Screws



3. Install Claw and Belt Clip

1. Place the right-handed claw against the outside or belt side of the holster.
2. Position the belt clip over the claw.
3. Align the mounting holes for the desired *ride height and **cant.

***Ride Height**

The vertical positioning of a pistol in a holster relative to the belt line, determining how high or low the firearm sits for draw access and concealment.

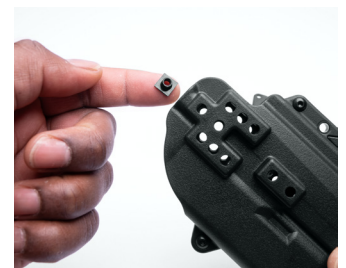
****Cant Angle**

The degree and direction of a pistol's tilt in a holster relative to vertical, affecting draw ergonomics, comfort, and concealment.



4. Install Nuts and Screws

1. Place the weld nut on your index finger and insert it into the inside of the holster.
2. Align the weld nut with the selected mounting holes.
3. Insert a 3/8" screw through:
Belt clip > Claw > Holster > Into the weld nut
4. Tighten using the 3/32" Allen wrench. Do not overtighten.
5. Repeat the process for the second mounting hole.



IWB Assembly (Continued)

For Inside-the-Waistband Carry

5. Install The Facehugger Hole Cover

Optional

1. Flip the holster over.
2. Position the Face Hugger over the exposed holes on the back side of the holster.
3. Insert the top (Alien Head) side first.
4. Apply light upward pressure to the center and press the opposite side into place.
5. Ensure the Face Hugger fully covers the holes.

The Photon Holster is now configured for IWB carry.



Optional "No Claw" IWB Configuration

To run your Photon Holster without a claw:

- Use the 1/4" screws instead of the 3/8" screws.
- Mount the belt clip directly to the holster using the weld nuts.



OWB Assembly

For Outside-the-Waistband Carry

1. Determine Hand Orientation

Determine whether the holster will be configured for right or left hand use.

For Right Hand Setup

The OWB Paddle mounts on the left side of the holster.

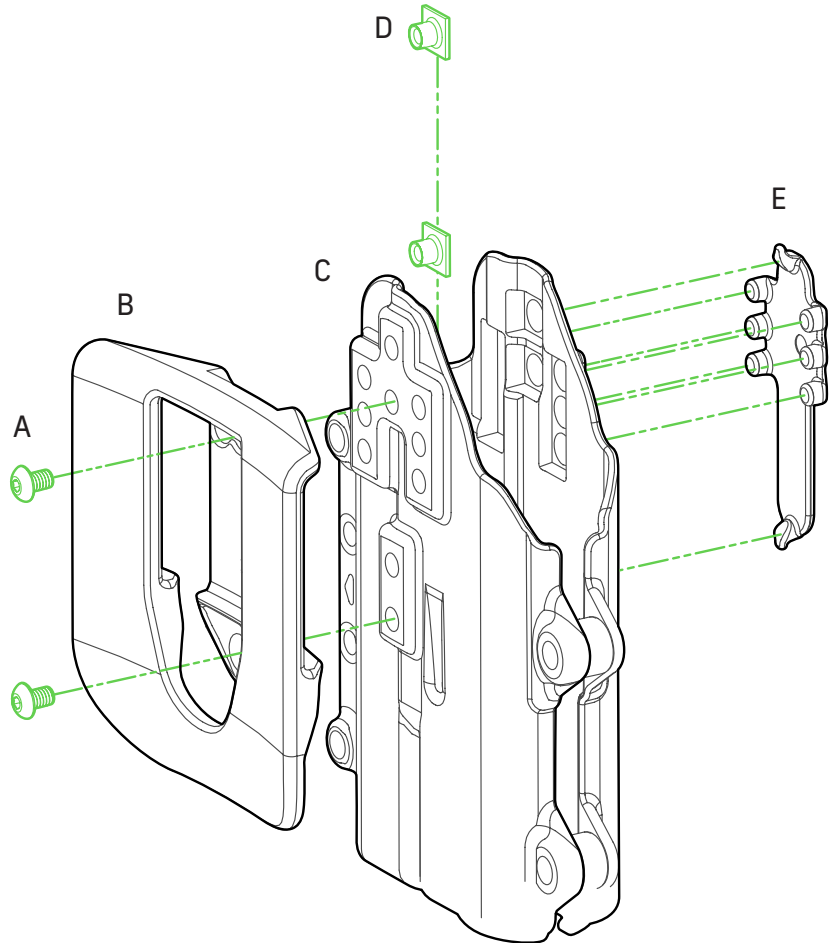
*For this example, the holster will be configured for **right-hand use**.*



OWB Assembly (Continued)

For Outside-the-Waistband Carry

- [A] 1/4" Screws
- [B] OWB Paddle Attachment
- [C] Photon Holster Body
- [D] Weld Nuts
- [E] Facehugger (Hole Cover)



2. Position the Paddle

1. Place the paddle against the holster.
2. Select the desired:
 - Ride height
 - Cant angle
3. Align the paddle mounting hole labeled "Photon" with the center mounting hole on the holster.

3. Install the First Mounting Point

1. Insert a weld nut from the inside of the holster.
2. Align it with the selected mounting hole.
3. Insert a 1/4" screw through the paddle and into the weld nut.
4. Tighten securely using the 3/32" Allen wrench. Do not overtighten.

4. Install the Second Mounting Point

1. Insert the second weld nut into the inside of the holster.
2. Align with the second paddle mounting hole.
3. Insert the second 1/4" screw through the paddle into the weld nut.
4. Tighten securely.

OWB Assembly (Continued)

For Outside-the-Waistband Carry

5. Install The Facehugger Hole Cover

Optional

1. Flip the holster over.
2. Position the Facehugger over the exposed holes on the back side of the holster.
3. Insert the top (Alien Head) side first.
4. Apply light upward pressure to the center and press the opposite side into place.
5. Ensure the Facehugger fully covers the holes.

The Photon Holster is now configured for OWB carry.



Adjusting Retention

For Inside-the-Waistband Carry

To adjust the holster's retention, tighten or loosen the spacer screw located on the bottom or trigger guard side of the holster.

- Tightening the screw increases retention.
- Loosening the screw decreases retention.

Adjust retention incrementally until the desired draw resistance and firearm retention are achieved.

Do not overtighten the retention hardware.

